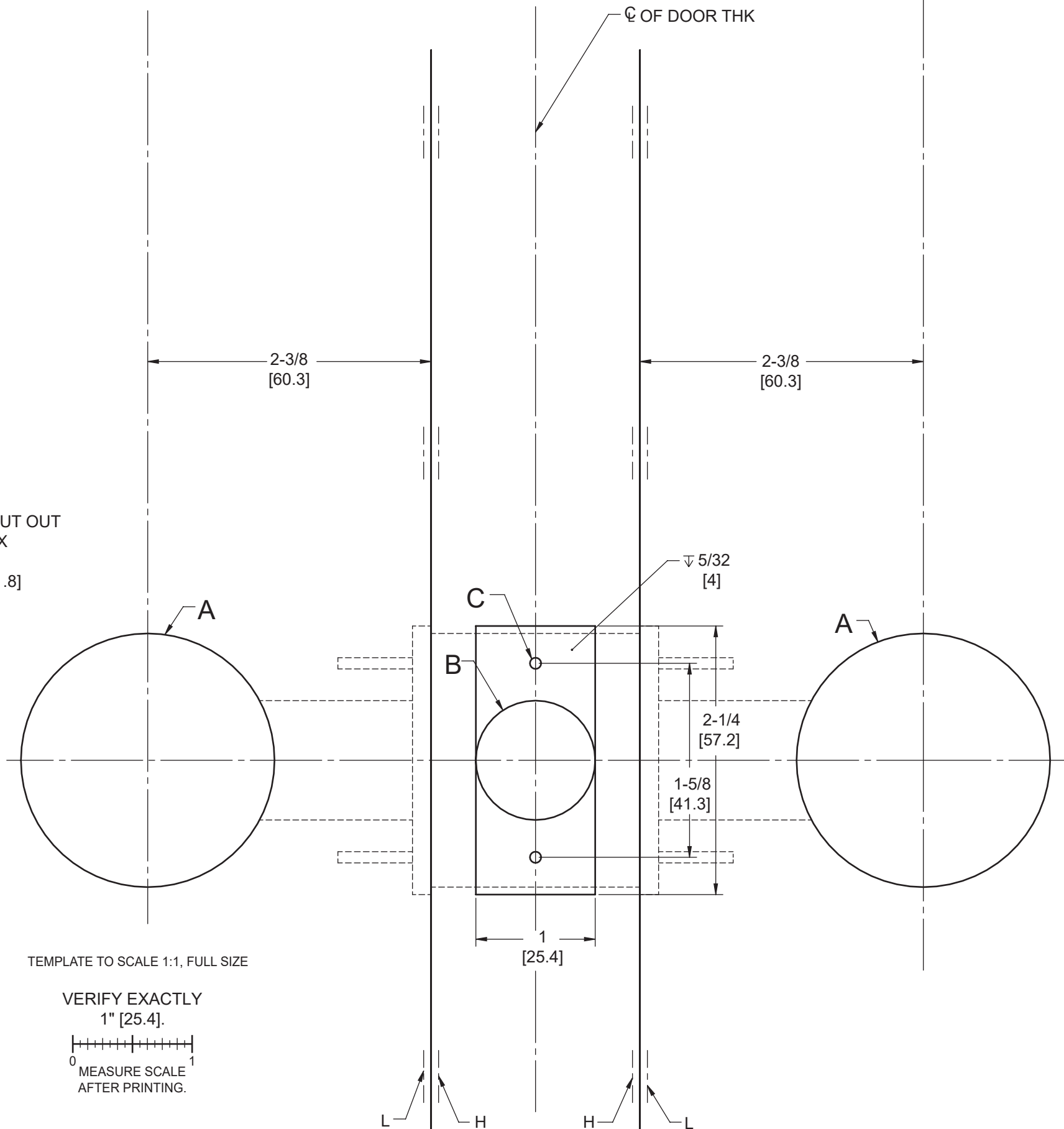
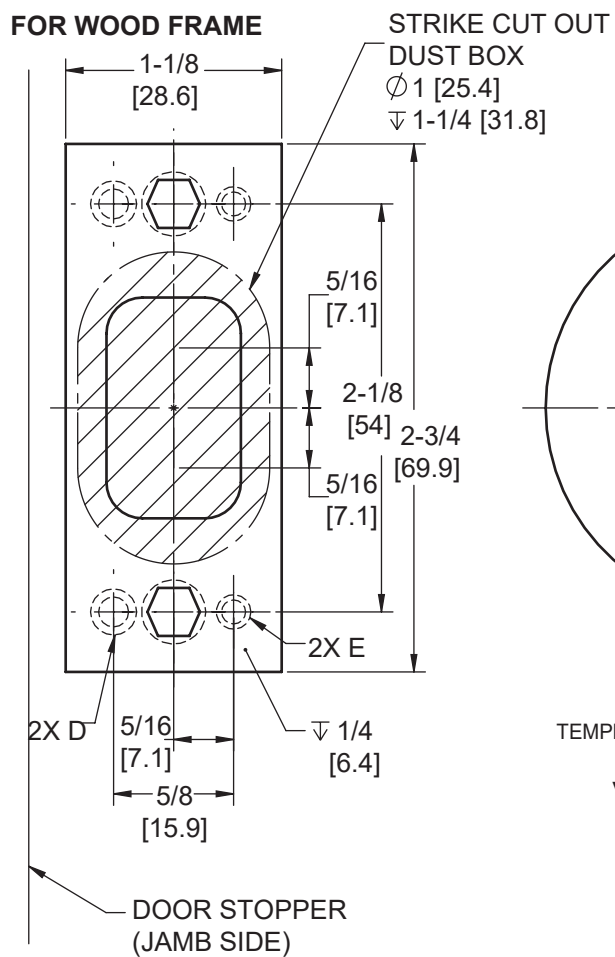
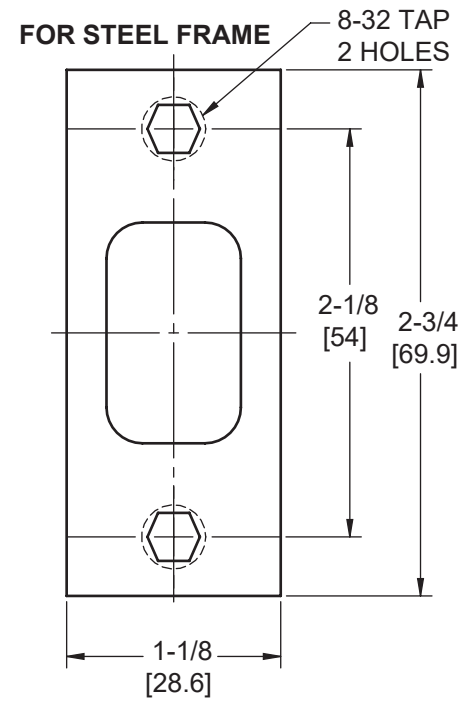
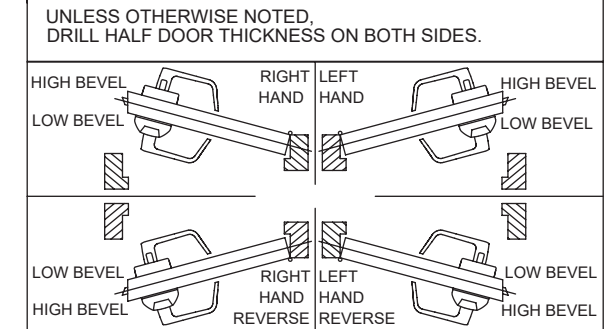


# Saffire LX-D & Saffire EVO LZ-D

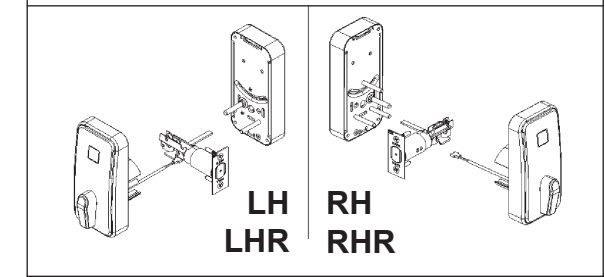
2-3/8" Backset  
Drilling template



HOLE ID	DIM inch/[mm]	▽ inch/[mm]	COMMENTS
A	Ø 2-1/8 [Ø 54.0]	-	
B	Ø 1 [Ø 25.4]	UP TO HOLE "A"	
C	Ø 3/32 [Ø 2.4]	5/8 [15.9]	
D	Ø 5/32 [Ø 4.0]	3 [76.2]	JAMB SIDE
E	Ø 1/8 [Ø 3.2]	3/4 [19.1]	



- NOTES:
- FOR DIMENSIONS AND TOLERANCES REFER TO CORRESPONDING DOOR PREPARATION DRAWING IP-516475.
  - FOLDING LINES HIGH (H) AND LOW (L) FOR BEVEL EDGES SHOWN ARE FOR DOOR WITH 3° BEVEL ANGLE.
  - SYMBOLS:  
- ▽ DEEP  
- Ø CENTERLINE OF DOOR  
- Ø DIAMETER
  - ALL DIMENSIONS ARE IN INCHES [mm].



**WARNING**

- To verify lock coverage and door operation meets expectations, dormakaba strongly recommends completing a full door mockup. This will ensure that all necessary products and parts for a successful installation are included.
- Always validate that you have selected the correct template for specific lock model being installed. The same lock model can be offered with different locking device options.
- Always validate after printing to confirm the dimensions listed on the drawing have printed on a 1:1 scale.
- If you have any questions, please contact your local sales representative or authorized reseller.